

DOCUMENT NO. 10-629549-284
 SHEET 1 OF 2
 REV. A
 C
 B
 A

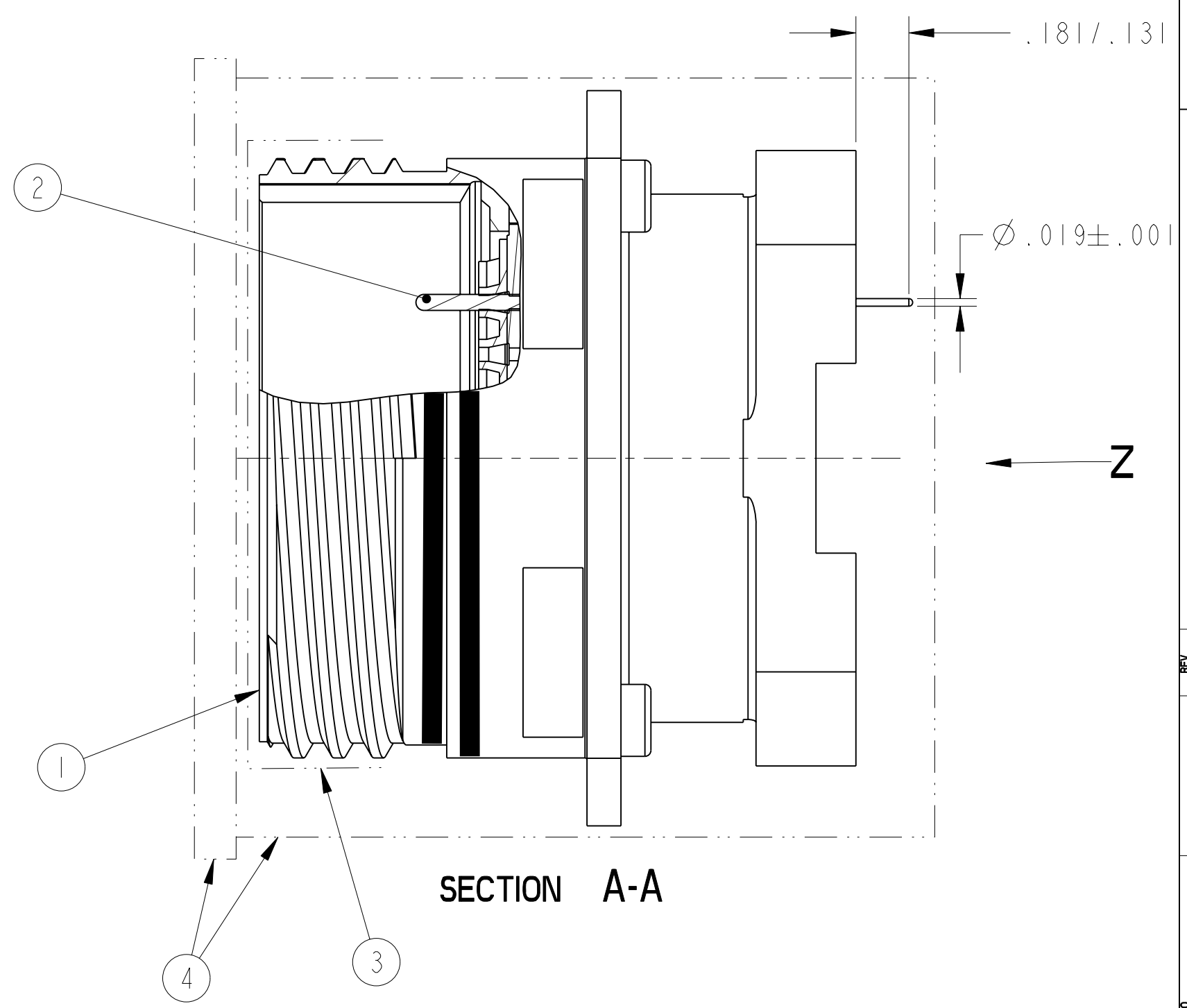
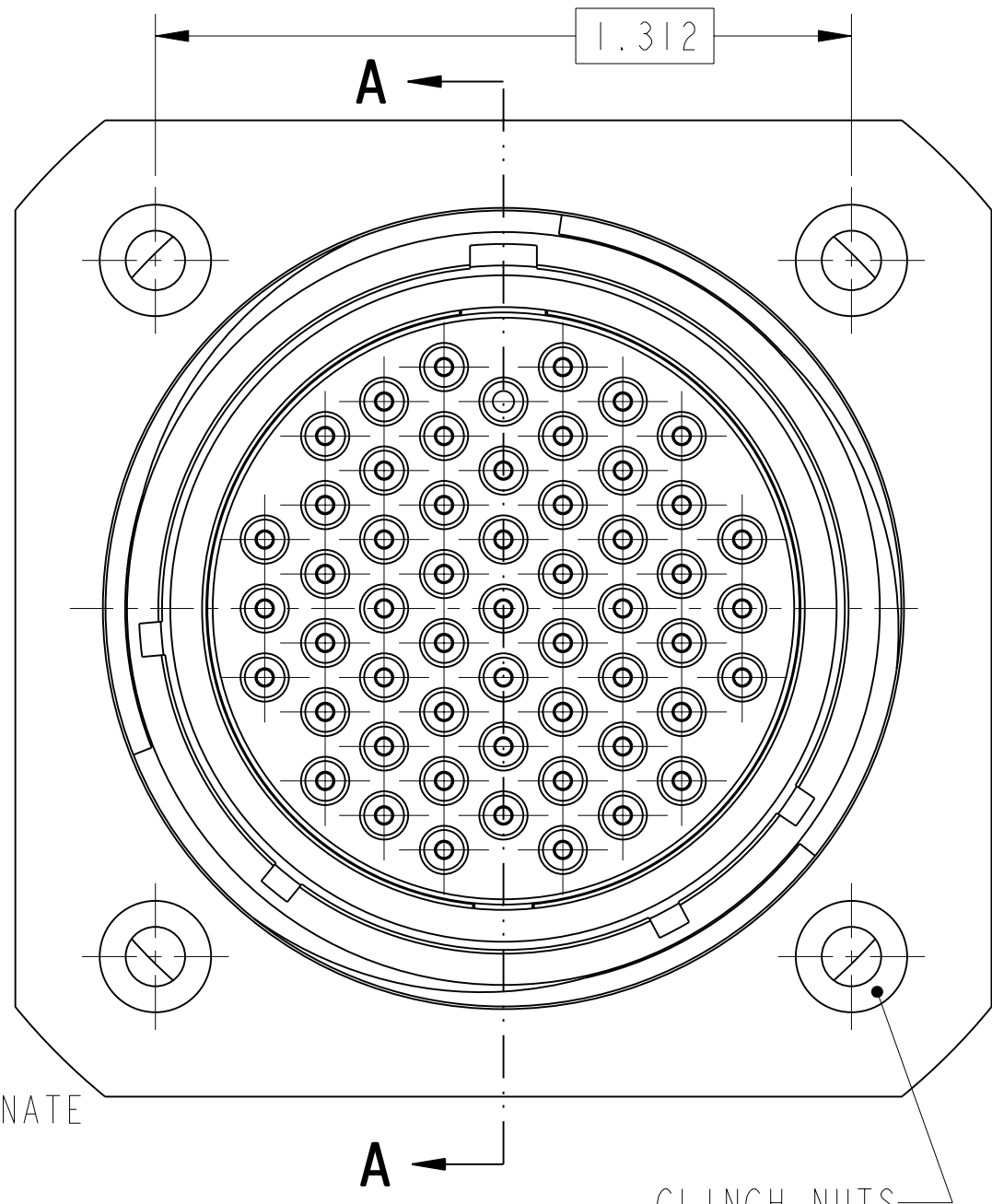
KIT PART NUMBER	KIT TYPE	CONNECTOR PART NUMBER	PCB CONTACT PART NUMBER	QTY.	TV REF NUMBER	CAP/CONTAINER
10-629549-284N	I	91-660638-55P	10-497640-275	55	TVPS02RF-23-55P (LC)	10-576238-002
10-629549-284A		91-660638-55G			TVPS02RF-23-55PA(LC)	
10-629549-284B		91-660638-55I			TVPS02RF-23-55PB(LC)	
10-629549-284C		91-660638-55K			TVPS02RF-23-55PC(LC)	
10-629549-284D		91-660638-55M			TVPS02RF-23-55PD(LC)	
10-629549-284E		91-660638-55R			TVPS02RF-23-55PE(LC)	

REV. A	SHEET 1 OF 2	DOCUMENT NO. 10-629549-284
REVISIONS		
LTR	DESCRIPTION	DATE
A	INITIAL RELEASE	

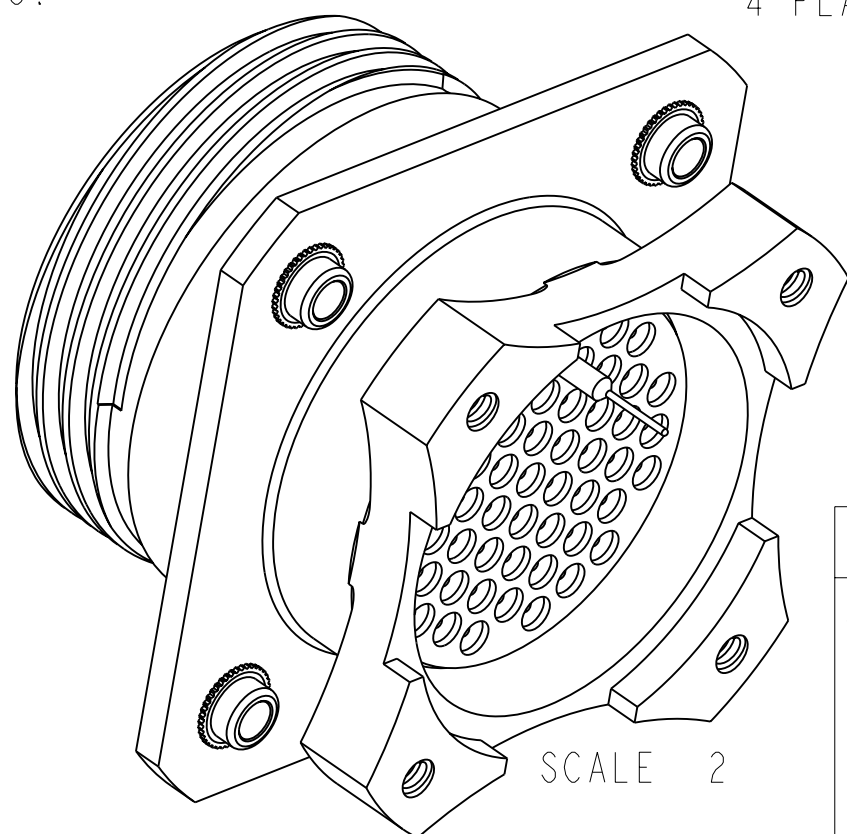
FOR UNIT ILLUSTRATION AND DIMENSIONAL DATA SEE 91-660630/639

ALTERNATE SHELL ROTATION
SEE NOTE 1

CONNECTOR LESS STAMPING
SEE NOTE 4
FOR STAMPING REQUIREMENT



- SEE WORK ORDER FOR PERMISSIBLE OR ALTERNATE STAMPING.
- AFTER CONTACTS AND CAP HAVE BEEN INSTALLED, PLACE CONNECTOR INTO CONTAINER AND CAP. TO INSURE CAP LOCATION APPLY TAPE IF NEEDED. CARE MUST BE TAKEN NOT TO BEND THE CONTACTS.
- STAMP "AMPHENOL", PART NUMBER, LOT NUMBER, AND DATE CODE (9-3895), PER 9-5788
EXAMPLE:
AMPHENOL 10-629549-284B 14001000 1421
- PROCESS SPEC:
9-3895, 9-5788
SPECIAL CONTROL 9-6000-5
PROCESS CONTROL 9-4796
- PACKAGE PER PRODUCTION PROCESS SHEET.
- KIT TYPE I CONTACTS SHIPPED UNASSEMBLED.
KIT TYPE II CONTACTS SHIPPED ASSEMBLED IN CONNECTOR.



CLINCH NUTS
.138-32 UNJC 3B
(SELF-LOCKING)
(M45938/7)
4 PLACES

NOTES:

THE USE OF THIS DOCUMENT IS UNLIMITED. HOWEVER, DOCUMENTS REFERENCED HEREON MAY CONTAIN LIMITED RIGHTS DATA.

RELEASED / May . 21 2014, 12:59:05 PM

DOCUMENT NO. 10-629549-284
SHEET 1 OF 2
REV. A

PRO/ENGINEER INFORMATION	
N/A	Pro/e Model Used:
N/A	10-629549-141.ASSEM
	Drawing Name:
	10-629549-284

UNLESS OTHERWISE SPECIFIED

LINEAR DIMENSIONS ARE IN INCHES
TOLERANCES:
.XXXX = ±.0005 ANGLES= ±2°
.XXX = ±.010
.XX = ±.03
.X = ±.1

DIM. & TOL. PER ASME Y14.5M;
DRM PER MIL-DTL-31000;
OTHER Amphenol Sds. PER 9-3800

LEGENDS:
= FLAG NOTE CALL OUT REFERENCE ONLY

SPECIFICATIONS

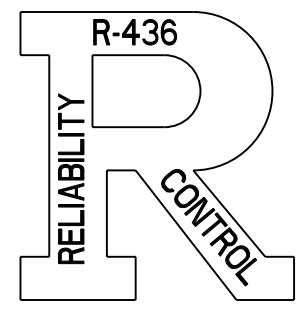
MATERIAL SPEC.
N/A

PROCESS SPEC.
SEE NOTE 3

POS	QTY	PART NUMBER	DESCRIPTION	NOTE
4	I	SEE COLUMN	CAP/CONTAINER	5
3	I	10-070500-024	CAP	5
2		SEE COLUMN	CONTACT	5
1	I	SEE COLUMN	CONNECTOR	

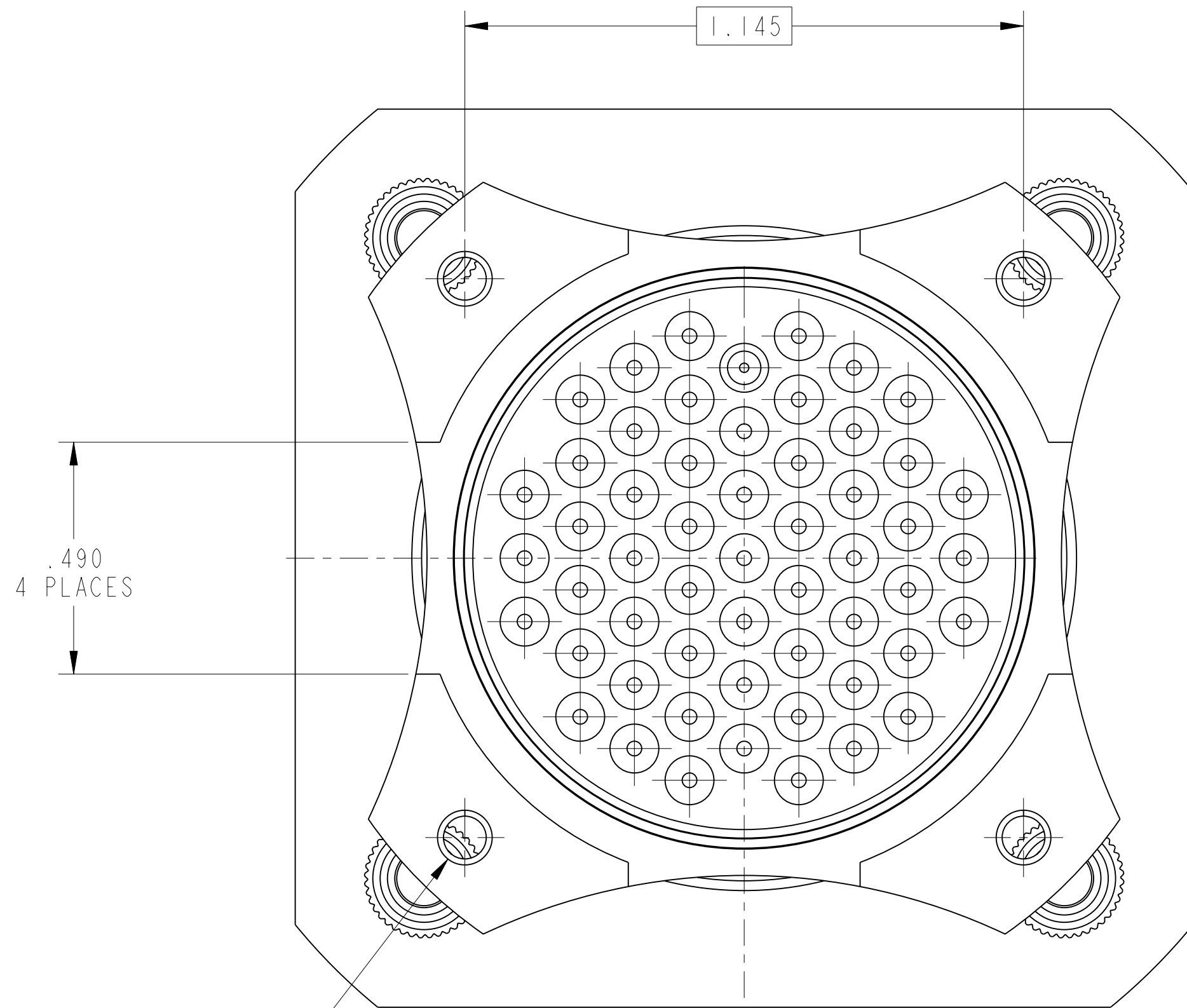
APPROVALS		DATE
PREPARED BY	D. ALGER	20-MAY-14
ENGINEER IN CHARGE	D. FREAR	
DESIGN MANAGER	E. SHEPLER	
DESIGN ACTIVITY GROUP	MILAERO	

PARTS LIST			
AMPHENOL CORPORATION 40-60 DELAWARE AVENUE SIDNEY, N.Y. 13838			
KIT, CONNECTOR, RCPT., TYPE TVPS02RF-23-55P(), CLINCH NUT/HELICAL INSERT			
SIZE C	CAGE CODE 77820	DOCUMENT NO. 10-629549-284	REV. A
SCALE: 3.0		REF: 88-644570/579	SHEET 1 OF 2



DOCUMENT NO. 10-629549-284
 SHEET 1 OF 2
 REV. A

10-629549-284
SHEET 2 OF 2
REV. A



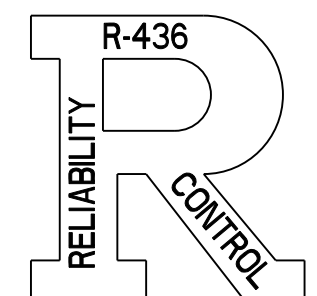
HELICAL INSERT
.112-40 UNC-2B
(NAS1130-04L15D)
4 PLACES

VIEW AT Z

NOTES: SEE SHEET 1

THE USE OF THIS DOCUMENT IS UNLIMITED.
HOWEVER, DOCUMENTS REFERENCED HEREON
MAY CONTAIN LIMITED RIGHTS DATA.

RELEASED / May . 21 2014, 12:59:05 PM



SIZE C	CAGE CODE 77820	DOCUMENT NO. 10-629549-284	REV. A
SCALE: 3.0		REF. 88-644570/579	SHEET 2 OF 2

10-629549-284
SHEET 2 OF 2
REV. A

X-ON Electronics

Largest Supplier of Electrical and Electronic Components

Click to view similar products for [amphenol manufacturer](#):

Other Similar products are found below :

[CTV06RGQF-17-52P](#) [CTVPS00RGF-23-6P-LC](#) [GC835TY2S](#) [CF-509621-29P](#) [BF8-1218-31SV-Y70](#) [TVP00RGW-23-6SA\(LC\)](#)
[RNJ27CI1535P014](#) [10-553998-139](#) [21-033388-031](#) [10-507142-843](#) [GTS06G-32-7S](#) [GTC06-36-78PX-023](#) [ACC02E28-51S-003-B30-LC](#)
[TV06RL-13-35SD-LC](#) [TV06RL-13-35SD](#) [TV06RL-13-98SD-LC](#) [TV06RL-13-98SD](#) [GTC08AF32-15SX-B30-LC](#) [GTC06G32-76PZ](#)
[TVP00RW-23-53AD](#) [100-007-213-002-001](#) [5M30-61](#) [FSPP-103-00-004](#) [360031](#) [10-037090-161](#) [10-541504-001](#) [10-580902-409](#) [TV97RW-](#)
[9-9S\(S15\)](#) [TVPS00RGF-9-5P-LC](#) [TVPS00RGF-9-5PA-LC](#) [TVP00RGQW-21-75P-LC](#) [TV06RW-25-90AE](#) [97-3108B16S-5PW-417](#) [PT06J20-](#)
[24SW](#) [97-3108B16S-4PY-417](#) [97-3108B16S-4PX-417](#) [97-3108B16S-5PY-417](#) [97-3108B16S-4PW-417](#) [CS-DSDMDB37MF-025](#) [97-](#)
[3108B16S-5PZ-417](#) [TV06RW-25-46AE](#) [TVS07RF-21-16AA](#) [TVS07RF-21-39BA](#) [60261626SNCOND1](#) [SE00TVW09](#) [CF-5A9013-04N](#) [CF-](#)
[6A4615-06N](#) [GTS01-22-22PX-025-116](#) [GTS01-22-22P-025-116](#) [GTS01-22-22P-116](#)