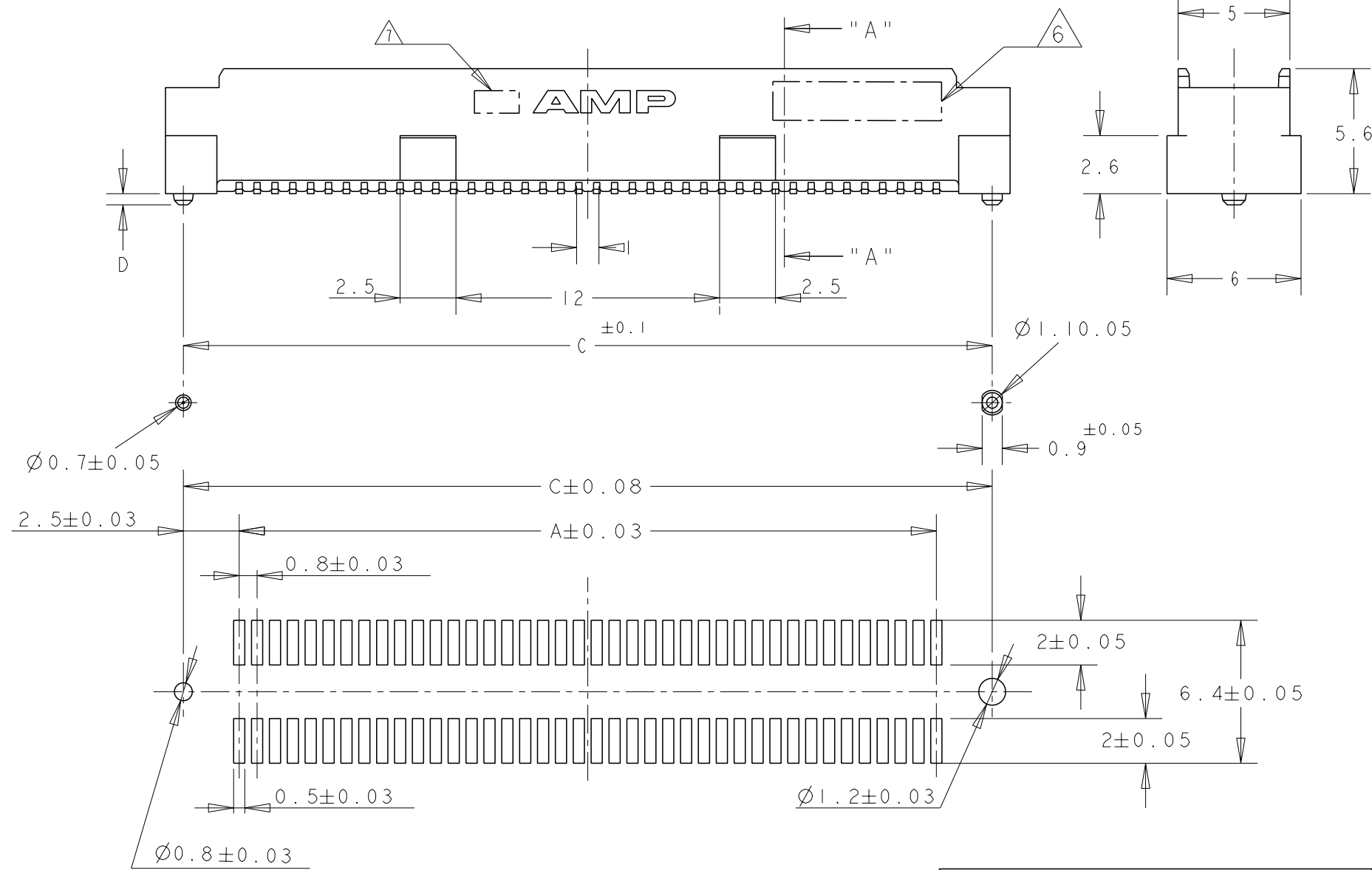
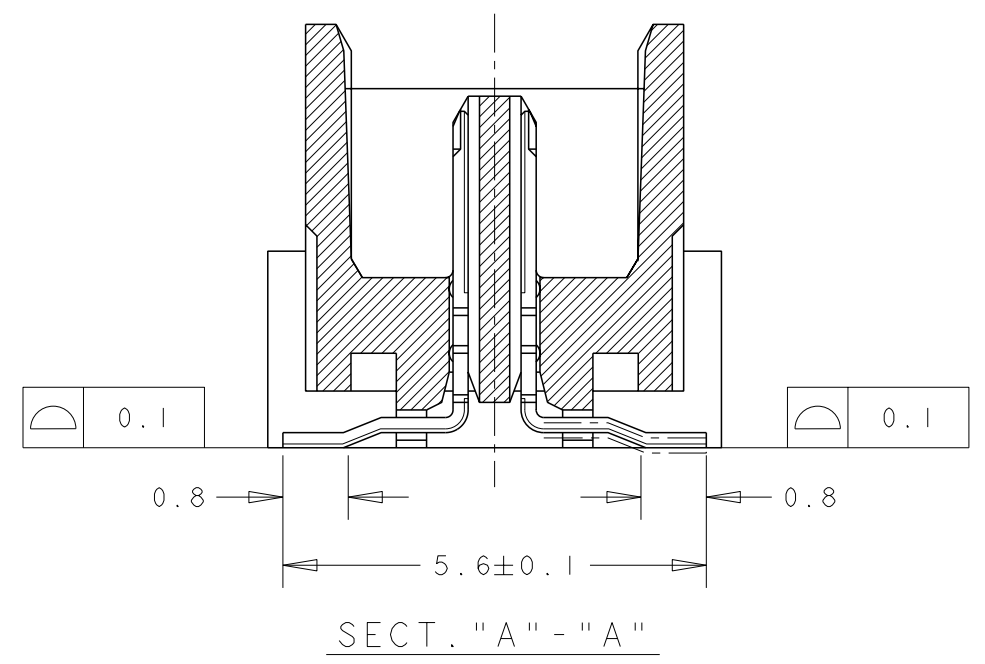
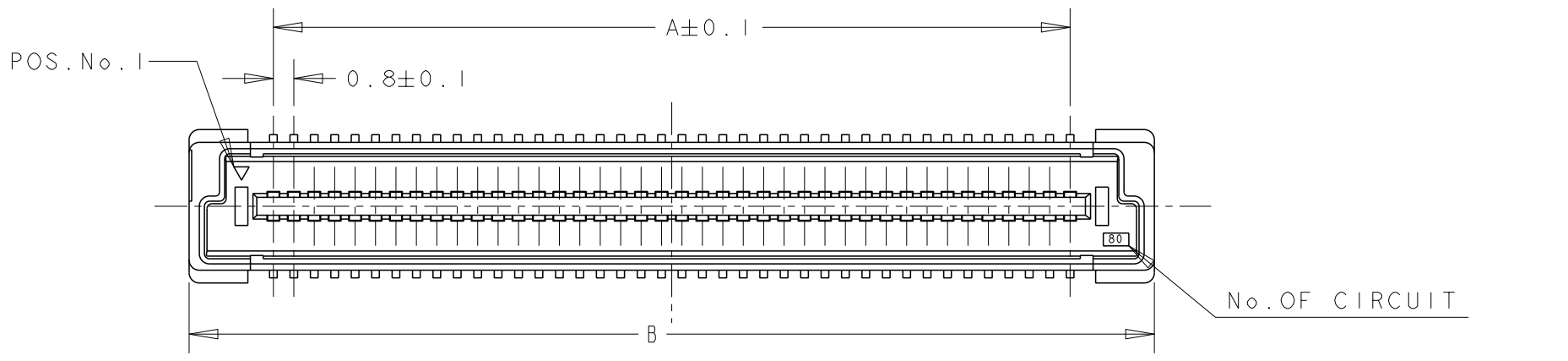


THIS DRAWING IS UNPUBLISHED. RELEASED FOR PUBLICATION 20
 © COPYRIGHT 20 BY - ALL RIGHTS RESERVED.

REVISIONS				
P	LTR	DESCRIPTION	DATE	APVD
B2		REVISED PER ECR-15-012048	20AUG15	I.T W.H



NOTES:

- 1 MATERIAL:
HOUSING: L.C.P (HIGH TEMP THERMO PLASTIC)
UL 94V-0, NATURAL.
CONTACT: BRASS.
- 2 FINISH:
CONTACT AREA: 0.0002 MIN GOLD ON
0.0013 MIN ALL OVER NICKEL.
SOLDERING AREA: 0.002 MIN MATTE-TIN.
- 3. POSITION SERIES: SEE TABLE.
- 4. CONN STACK HEIGHT COMBINE OF PLUG "Y" H VS REC "X" H.
STACK HEIGHT = Y + X - 5
- 5 OBSOLETE PARTS: OBSOLETE CIS STREAMINING PER D.RENAUD/D.SINISI.
- 6 DATE CODE MARKING
- 7 MANUFACTURE PLANT LOCATION MARK. QINGDAO:

P/N SEE SHEET 2 OF 2.

THIS DRAWING IS A CONTROLLED DOCUMENT.		DWN 30AUG04 FLORENCE TAN	TE Connectivity	
DIMENSIONS: mm		CHK ERIC TNG		
TOLERANCES UNLESS OTHERWISE SPECIFIED:		APVD SE LONG	NAME PLUG ASSEMBLY 6H TYPE (0.5 AND 0.8 BOSS LENGTH) FOR FH 0.8MM PITCH B-T-B CONNECTOR	
0 PLC ± 1 PLC ±0.30 2 PLC ±0.25 3 PLC ±0.20 4 PLC ± ANGLES ±3°		PRODUCT SPEC 108-5390	SIZE A3	
MATERIAL		APPLICATION SPEC 114-5254	CAGE CODE -	DRAWING NO C-5179029
FINISH		WEIGHT -	RESTRICTED TO -	
CUSTOMER DRAWING		SCALE 4:1	SHEET 1 OF 2 REV B2	

PROJ NO. 593-335

THIS DRAWING IS UNPUBLISHED.

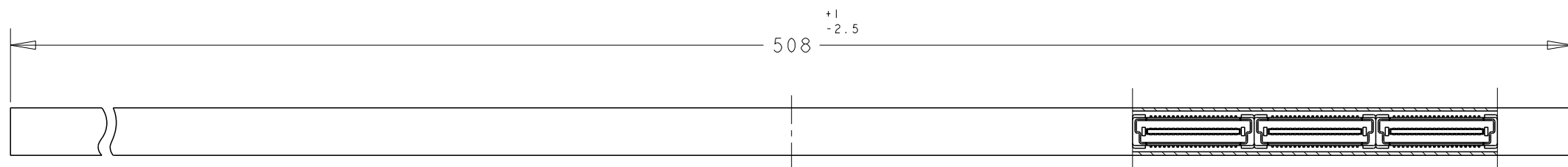
RELEASED FOR PUBLICATION

20

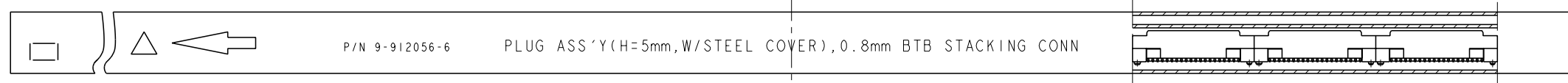
REVISIONS

© COPYRIGHT 20 BY - ALL RIGHTS RESERVED.

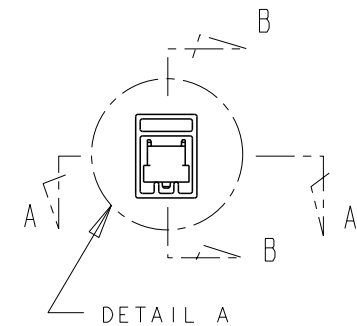
P	LTR	DESCRIPTION	DATE	DWN	APVD
		SEE SHEET 1 OF 2			



SECT A-A

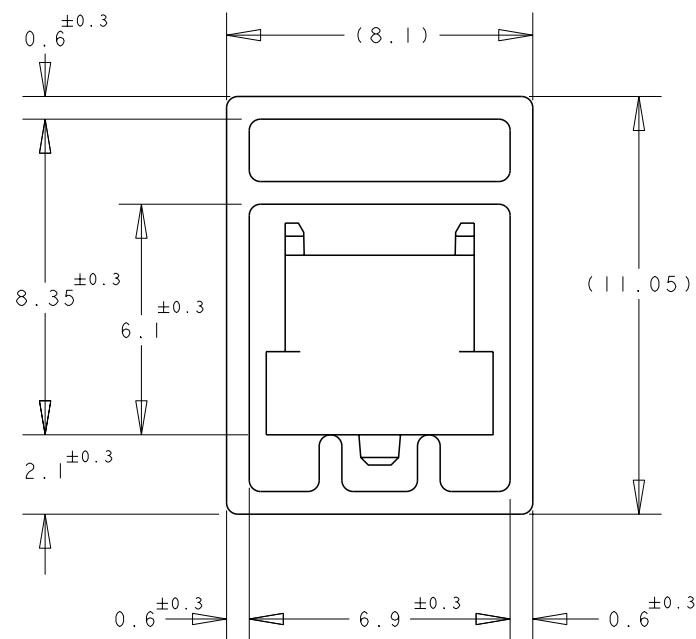


SECT B-B



P/N 9-912056-6 PLUG ASS'Y (H=5mm, W/STEEL COVER), 0.8mm BTB STACKING CONN

REFERENCE PICTURE OF TUBE PACK



DETAIL "B"
(SCALE 5-1)

5	12	0.8	36.2	37.8	31.2	80	3	3
5	16	0.8	28.2	29.8	23.2	60	3	2
5	22	0.8	20.2	21.8	15.2	40	3	1
	5	0.5	84.2	85.8	79.2	200	1-	-0
	6		76.2	77.8	71.2	180		-9
	6		68.2	69.8	63.2	160		-8
	7		60.2	61.8	55.2	140		-6
	9		52.2	53.8	47.2	120		-5
	10		44.2	45.8	39.2	100		-4
	12		36.2	37.8	31.2	80		-3
	16		28.2	29.8	23.2	60		-2
	22	0.5	20.2	21.8	15.2	40		5179029-1
QTY/ TUBE	D	C	B	A	POS.	CONN P/N		

THIS DRAWING IS A CONTROLLED DOCUMENT.		DWN FLORENCE TAN 30AUG04	TE TE Connectivity				
DIMENSIONS: mm		CHK ERIC TNG					
TOLERANCES UNLESS OTHERWISE SPECIFIED:		APVD SE LONG	NAME PLUG ASSEMBLY 6H TYPE (0.5 AND 0.8 BOSS LENGTH) FOR FH 0.8MM PITCH B-T-B CONNECTOR				
0 PLC ± 1 PLC ±0.30 2 PLC ±0.25 3 PLC ±0.20 4 PLC ± ANGLES ±3°		PRODUCT SPEC 108-5390					
MATERIAL	FINISH	APPLICATION SPEC 114-5254	SIZE A3	CAGE CODE -	DRAWING NO C-5179029	RESTRICTED TO -	
		WEIGHT -	CUSTOMER DRAWING		SCALE 4:1	SHEET 2 OF 2	REV B2

X-ON Electronics

Largest Supplier of Electrical and Electronic Components

Click to view similar products for [Board to Board & Mezzanine Connectors](#) category:

Click to view products by [TE Connectivity](#) manufacturer:

Other Similar products are found below :

[10135583-642402LF](#) [89885-310LF](#) [589158040000018](#) [6-1393048-0](#) [68683-613](#) [MDF7-12DP-2.54DSA](#) [MDF7-18P-2.54DSA\(01\)](#) [MDF7-20DP-2.54DSA](#) [MDF7-26D-2.54DSA\(55\)](#) [MDF7-3P-2.54DSA\(01\)](#) [MDF7B-3P-2.54DSA\(55\)](#) [MDF7C-11P-2.54DSA\(55\)](#) [MDF7C-18P-2.54DSA\(55\)](#) [MDF7C-5P-2.54DSA\(01\)](#) [MDF7P-5P-2.54DSA\(55\)](#) [75234-0516](#) [FCN-230C068-11](#) [FCN-268F012-G/BD](#) [FCN-268F036-G/BD](#) [FCN-268M012-G/0D](#) [FCN-268M024-G/1D](#) [FCN-360C008-C](#) [FCN-360C040-C](#) [FCN-723J004/1](#) [MIS-048-01-F-D-DP-K](#) [832-10-034-10-001000](#) [93696-325LF](#) [11828-1FA](#) [AXK630345P](#) [18097-0013](#) [ICA-328STT](#) [2007042-2](#) [304400-2](#) [FCN-214Q030-G/0](#) [FCN-215Q040-G/0](#) [FCN-230C068-ESA](#) [FCN-234P048-G/0](#) [FCN-235D050-G/C](#) [FCN-360A3](#) [FCN-360C040-B](#) [210-93-314-41-105000](#) [2-22603-0](#) [379-064-521-202](#) [MDF7-12P-2.54DSA\(01\)](#) [MDF7-16P-2.54DS\(56\)](#) [MDF7-40DP-2.54DSA\(55\)](#) [MDF7-8P-2.54DSA\(55\)](#) [MDF7B-16P-2.54DSA\(55\)](#) [AXG720047](#) [5031084030](#)