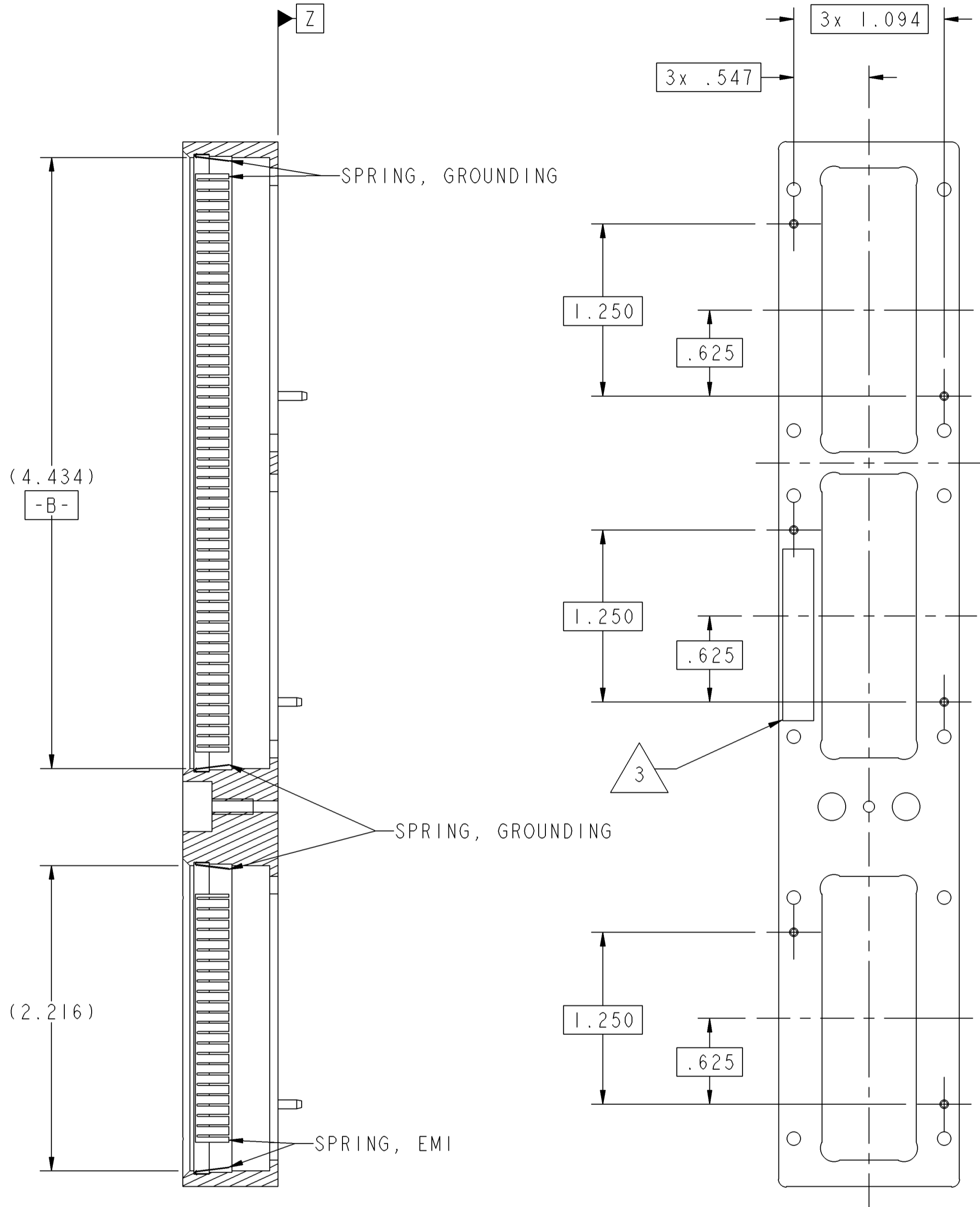
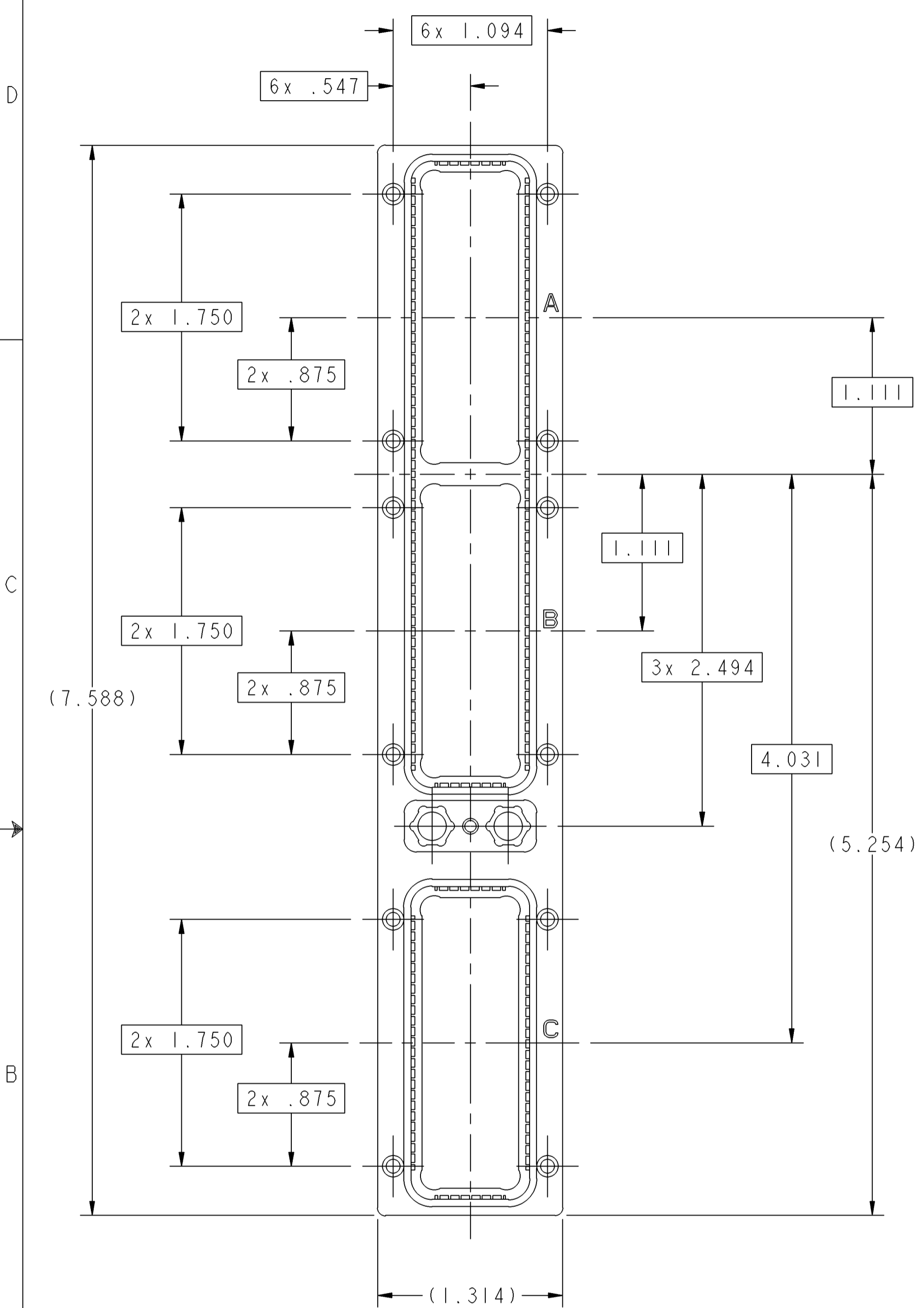
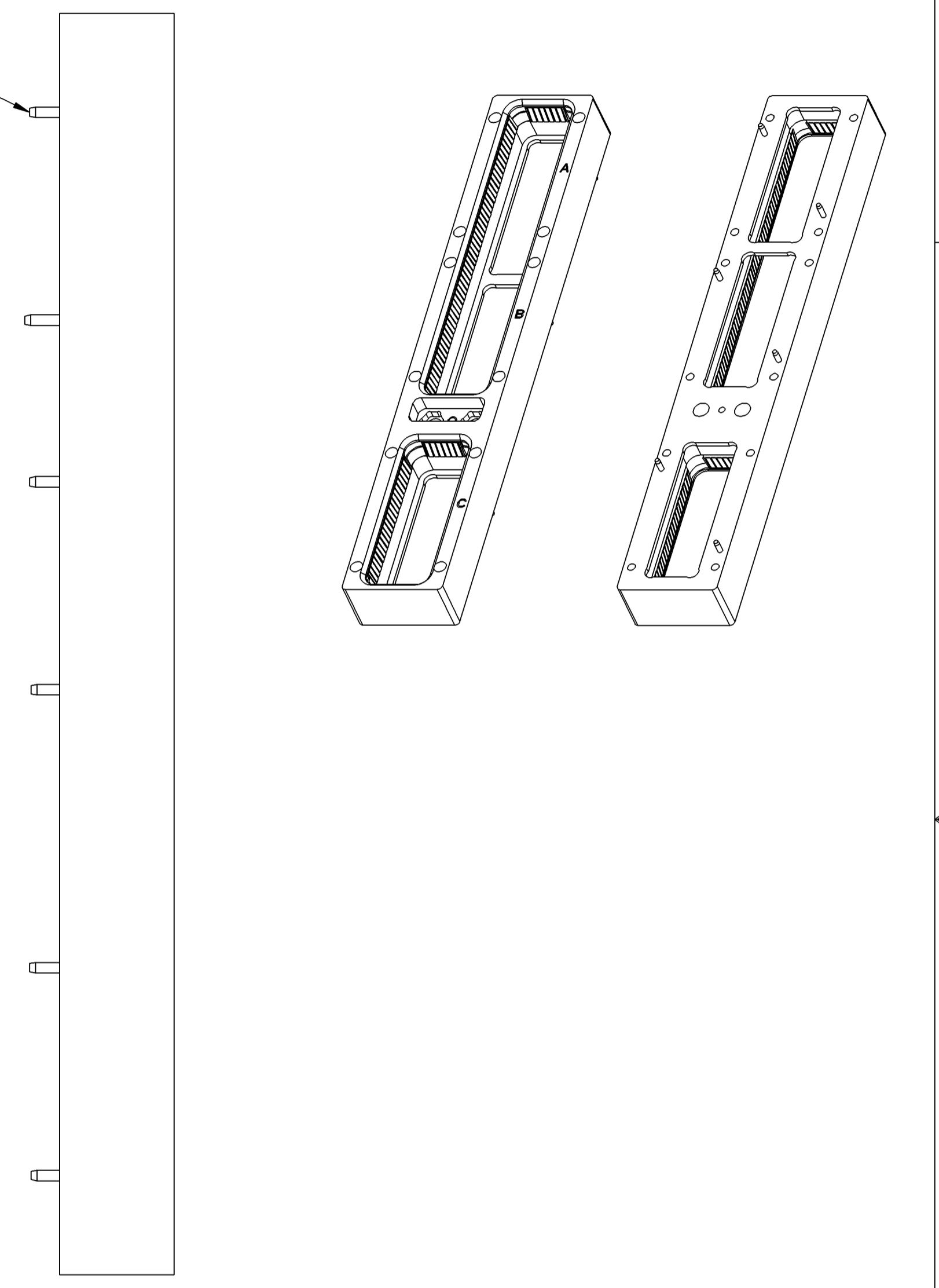


THIS IS ISSUED IN STRICT CONFIDENCE ON CONDITION THAT IT IS NOT USED AS A BASIS FOR MANUFACTURE OR SALE, AND THAT IT IS NOT COPIED, REPRINTED OR DISCLOSED TO A THIRD PARTY EITHER WHOLLY OR IN PART WITHOUT THE PRIOR WRITTEN CONSENT OF ITT CANNON.

DWG NO. 349-1151-000		SH 1	REV -
REVISIONS			
REV	DESCRIPTION	DATE	APPROVAL



6x \varnothing .0627 PRESS-IN DOWEL PIN
 \varnothing .003(M) A B C



NOTES: UNLESS OTHERWISE SPECIFIED.

- MATERIAL:
 SHELL: ALUMINUM ALLOY PER QQ-A-250
 EMI SPRING: BERYLLIUM COPPER
 DOWEL PIN: CRES
 - FINISH:
 SHELL: ELECTROLESS NICKEL PER MIL-C-26074
 EMI SPRING: ELECTRODEPOSITED NICKEL PER QQ-N-290
 DOWEL PIN: PASSIVATED
- 3 MARKING: "ITT CANNON" "349-1151-000" AND "DATE CODE" PLUS "4089221-1" AND "REV LTR" PER HONEYWELL "P/O".



EXPORT CODE C
 This information is subject to the controls of the Export Administration Regulations (EAR). This information shall not be provided to non-U.S. persons or transferred by any means to any location outside the United States without first obtaining any required authorization from the U.S. Department of Commerce.

UNLESS OTHERWISE SPECIFIED: -DIMENSIONS AND TOLERANCES AS PER ASME Y14.5M-1994 -DIMENSIONS ARE IN INCHES AND (MM) -REMOVE ALL BURRS AND SHARP EDGES .005 (0.13) MAX. -DO NOT SCALE DRAWING.		TOL DECIMALS .X \pm .02 (0.51) .XX \pm .01 (0.25) .XXX \pm .005 (0.127) .XXXX \pm .0005 (0.0127)	TOL ANGLES X° \pm 1° SURFACE ROUGHNESS 63 (1.6)	CRITICAL DIM ∇ SPC DIM \blacktriangledown KEY CHARACTERISTIC KEY \blacktriangleright
DRAWN Ian Long	DATE 10-02-03	SURFACE AREA		
CHECKED Peter Hyzin	DATE 10-02-03	REF		
APPROVED Peter Hyzin	DATE 10-02-03	PART NO	349-1151-000	
ITC Industries ITT Cannon 666 E. DYER RD, SANTA ANA, CA 92705		SCALE 1.500	DESCRIPTION SHELL ASSEMBLY, RECEPTACLE, AIMS-2	
CAGE CODE 71468		SIZE D	USE C	
3RD ANGLE PROJECTION		SHEET 1 / 1	REV -	
		349-1151-000		

X-ON Electronics

Largest Supplier of Electrical and Electronic Components

Click to view similar products for [itt manufacturer](#):

Other Similar products are found below :

[NEM-QTHSSB-68PGNS-B](#) [MJSR-34PL61](#) [096520-0863](#) [096520-0927](#) [153205-3053](#) [096522-0534](#) [097391-0281](#) [MDM-37PCBR-F222](#)
[MJSR-42PH003](#) [MDM-51PCBRP-L56](#) [CV3456L28-15P](#) [KPSE06F20-41SA206F0](#) [CB2-18-3SCA232](#) [MS3106E22-14P](#) [252-7689-001](#)
[CA3108E14S-5PBA176A232](#) [097414-0074](#) [CA3101E10SL-4SF80DN](#) [CA3101E10SL-4PBA176F42](#) [053513-4377](#) [MS3100F14S-7S](#) [051212-](#)
[0001](#) [MS3101E181SW](#) [980-8001-545](#) [024251-0016-R](#) [024253-0025](#) [024265-0001](#) [024270-0015](#) [024271-0022](#) [024273-0043](#) [024288-0001](#)
[M24308/24-21F](#) [CT1F22-7SS](#) [CT2-20-23SWS](#) [CT2-20-23SXS](#) [CT2-32-5PC](#) [CT6-24-11PSA206](#) [CT6F9767-14-4-14S-5PC](#) [CT6T9767-14-4-](#)
[14SA7SS](#) [D38999/20FG16PA-LC](#) - [D38999/26JH21PB-LC](#) [MD1-21PS](#) [MDM-15PH001B-A174](#) [MDM-15PH003B-A174](#) [MDM-21SCBR-](#)
[A174](#) [MDM-21SCBRP-A174](#) [MDM-21SH003B](#) [MDM25PH003BF222](#) [MDM-31SBRP](#) [MDM-37PBRT](#)